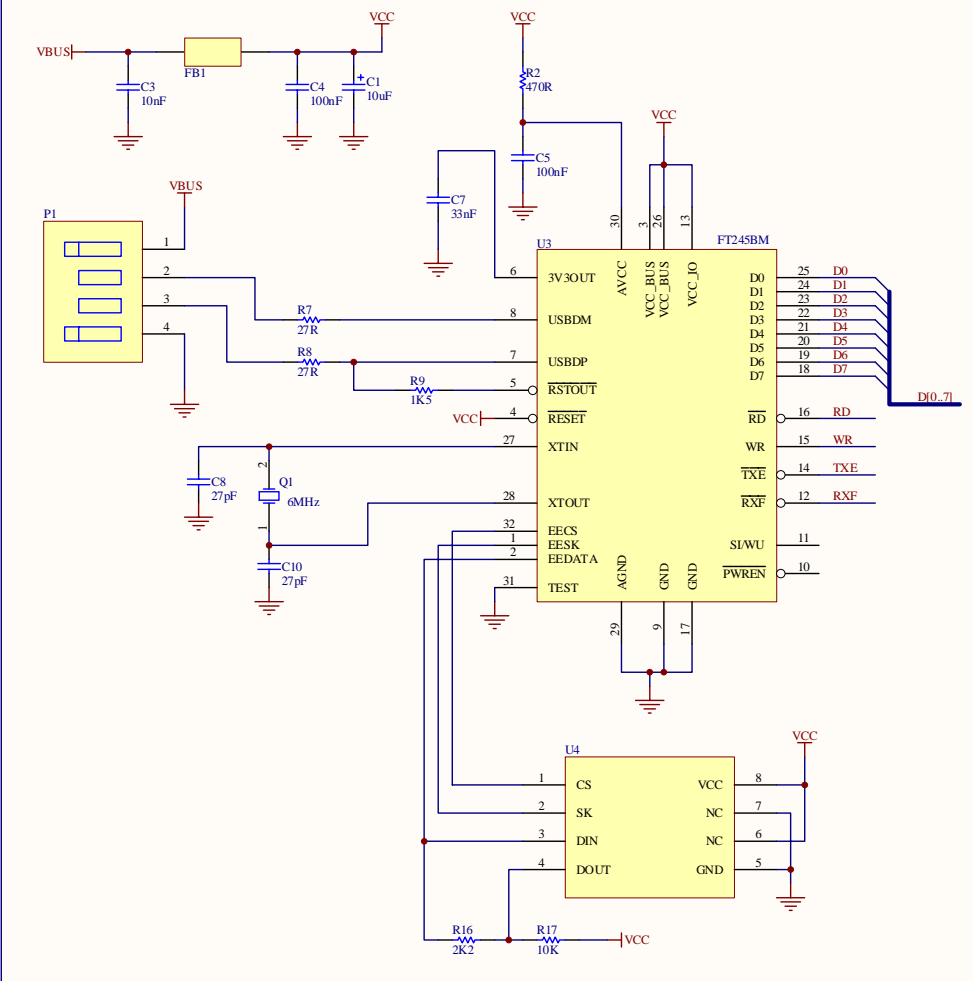
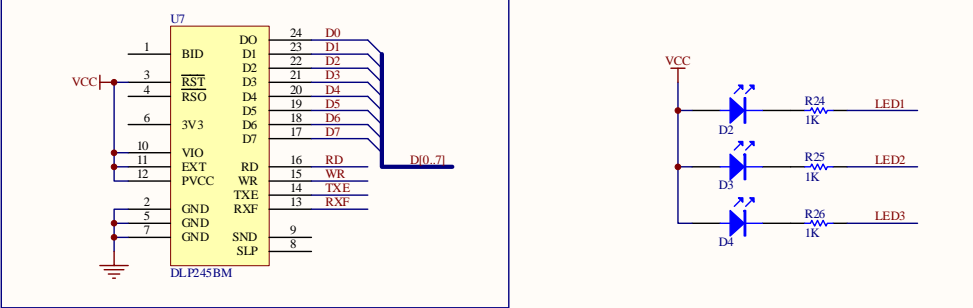


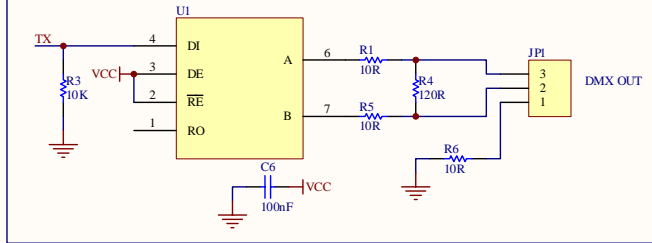
OPTION N°1



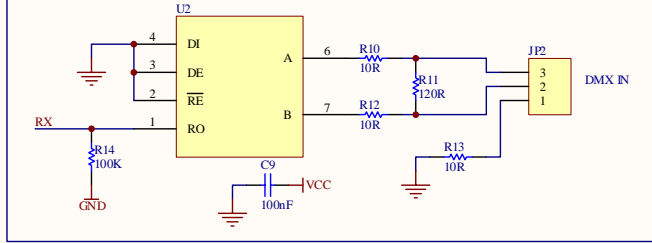
OPTION N°2



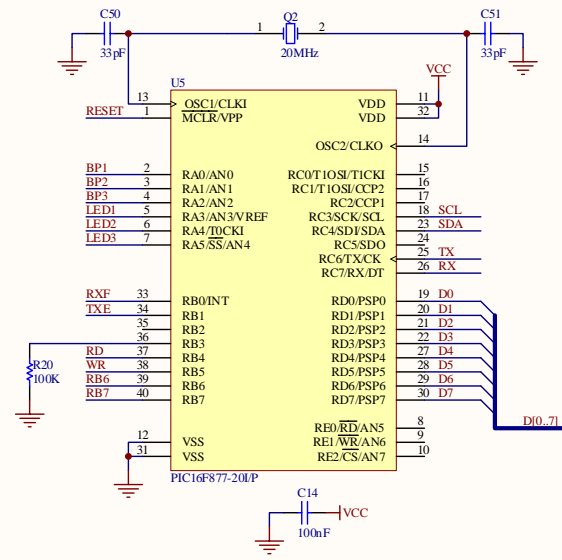
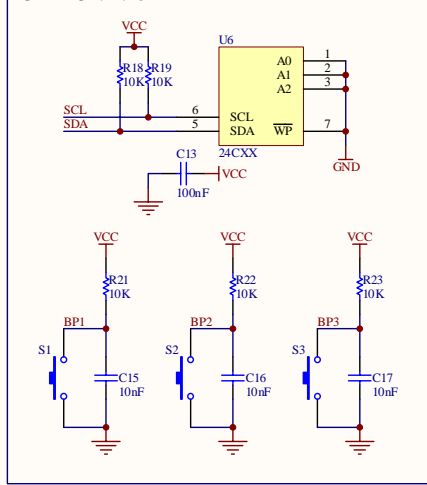
OPTION N°3



OPTION N°4



OPTION N°5



Title		
Size	Number	Revision
A3		
Date:	07/02/2004	Sheet of
File:	C:\Documents and Settings\...USB-DMX	20/26